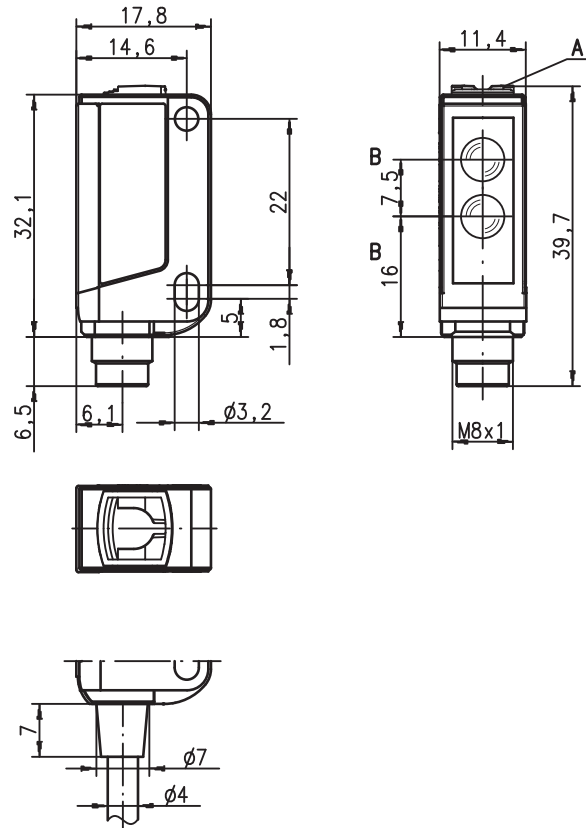


**PRK 3B Economy Retro-reflective photoelectric sensors with polarisation filter**

en 06-2011/04 50105366



**Dimensioned drawing**



- A Yellow indicator diode
- B Optical axis

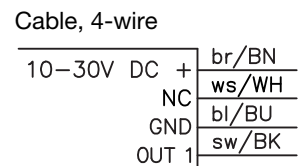
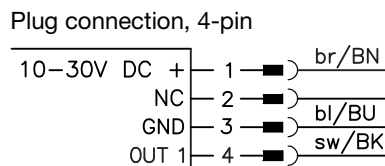


**0.02 ... 6m**



- Polarized retro-reflective photoelectric sensor with visible red light
- High performance reserve
- Small and compact construction with robust plastic housing, protection class IP 67 for industrial application
- Fast alignment through *brightVision*®
- A²LS- Active Ambient Light Suppression
- Push-pull switching output
- High switching frequency for detection of fast events
- Low current consumption

**Electrical connection**



**Accessories:**

(available separately)

- Mounting systems (BT 3...)
- Cable with M8 or M12 connector (K-D ...)
- Reflectors
- Reflective tapes


We reserve the right to make changes • DS\_PRK3B\_econ\_en.fm





## PRK 3B Economy Retro-reflective photoelectric sensors with polarisation filter

### Order guide

Selection table				Order code →	PRK 3B/6.7 Part No. 50104697	PRK 3B/6.7-S8 Part No. 50104698	PRK 3B/6D.7 on request	PRK 3B/6D.7-S8 Part No. 50106865		
Equipment ↓										
Output 1 (OUT 1)	push-pull switching output		light switching	○	●	●				
			dark switching	●		●	●			
Connection	cable 2,000 mm		4-wire		●		●			
	M8 connector, plastic		4-pin			●		●		
	pin 2: not assigned, suitable for connecting to AS-i coupling module					●	●	●	●	

- **Approved purpose:**

This product may only be used by qualified personnel and must only be used for the approved purpose. This sensor is not a safety sensor and is not to be used for the protection of persons.

